

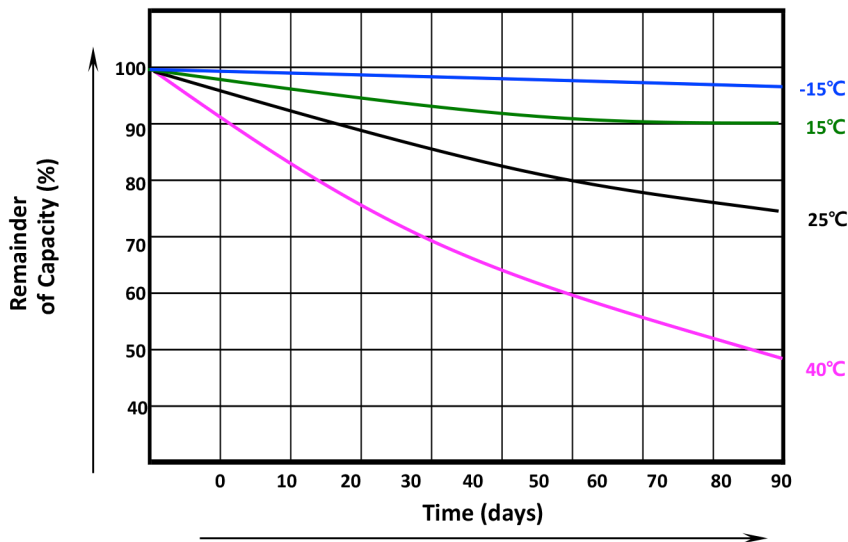
DATA SHEET

CODICE ARTICOLO F-D3190750DX

Specification

Norminal Voltage	12V	
Norminal Capacity(20Hr)	90Ah	
SAE CCA(Cold Cranking Ampere)	750A	
RC (Rerserve Capacity)	160Min.	
Dimension	Length	301mm
	Width	172mm
	Container Height	200mm
	Total Height (with Terminal)	220mm
Approximate Weight	Approx 20.0kg	
Terminal Shape	Standard shape according to SAE standard	
Terminal Layout	Layout 0	
Container Material	PP(polypropylene)	
Norminal Operating Temp. Range	25±3 °C (77±5 °F)	
Capacity affected by Temperature	40 °C (104 °F)	105%
	25 °C (77 °F)	100%
	0 °C (32 °F)	85%

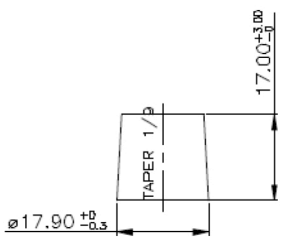
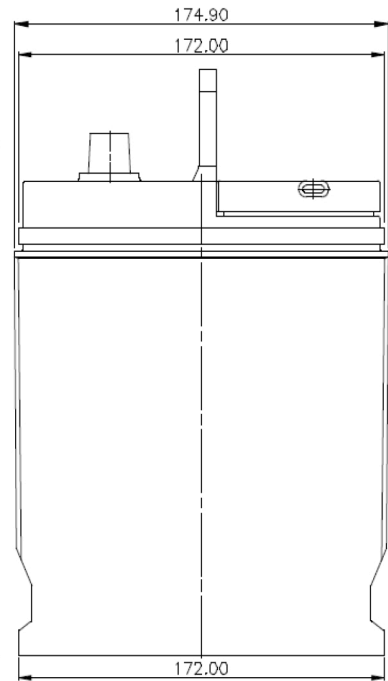
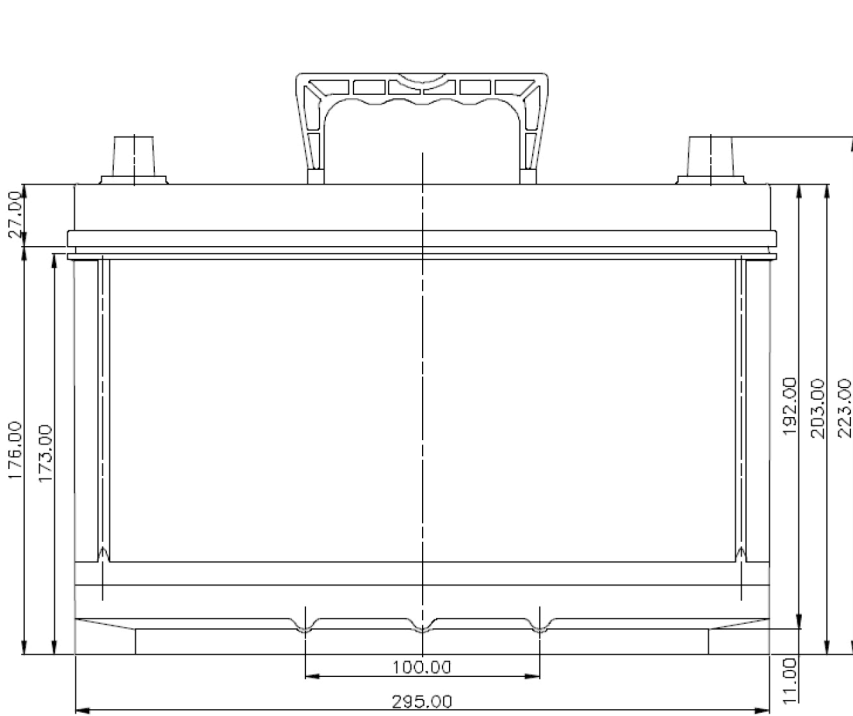
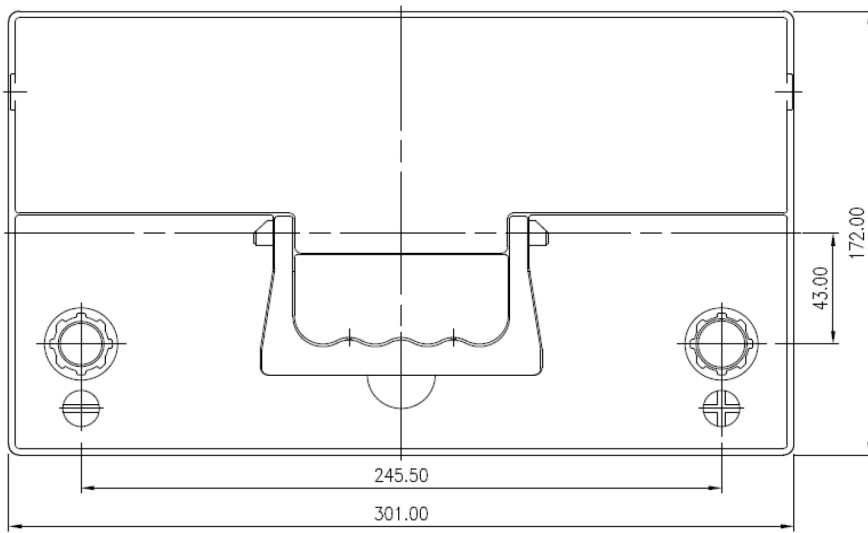
Self-discharge Characteristic



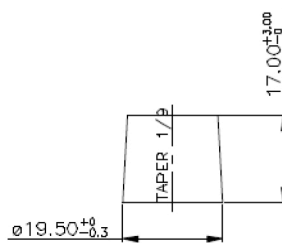
Test definition (SAE J537-2000)

SAE CCA : The battery shall be discharged at specified SAE CCA under -18 °C . This discharge terminated when the battery voltage reaches 7.2V. The discharge time(sec.) should be longer than 30s(±0.2s).

RC : The battery shall be discharged with a current of 25A until the terminal voltage falls to 10.50V ± 0.05V. The duration (min.) of discharge shall be recorded.



NEGATIVE TERMINAL



POSITIVE TERMINAL